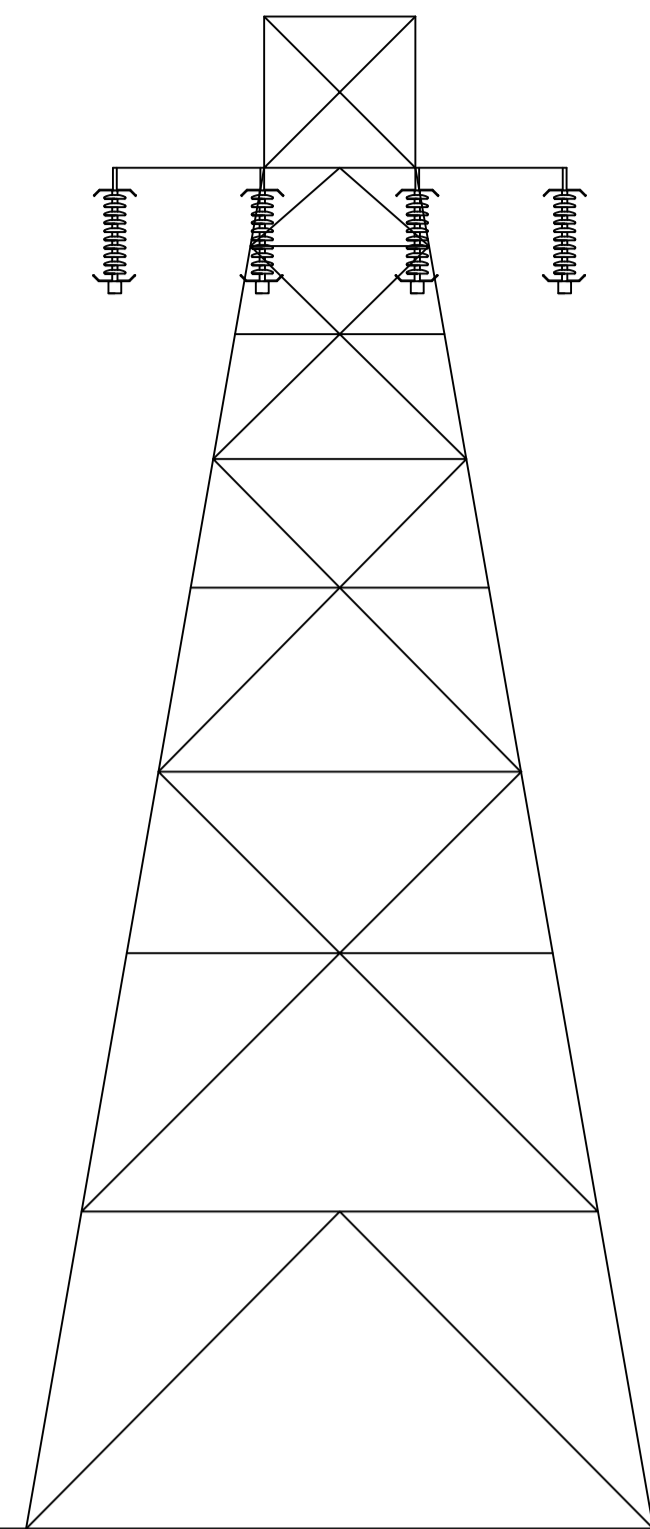
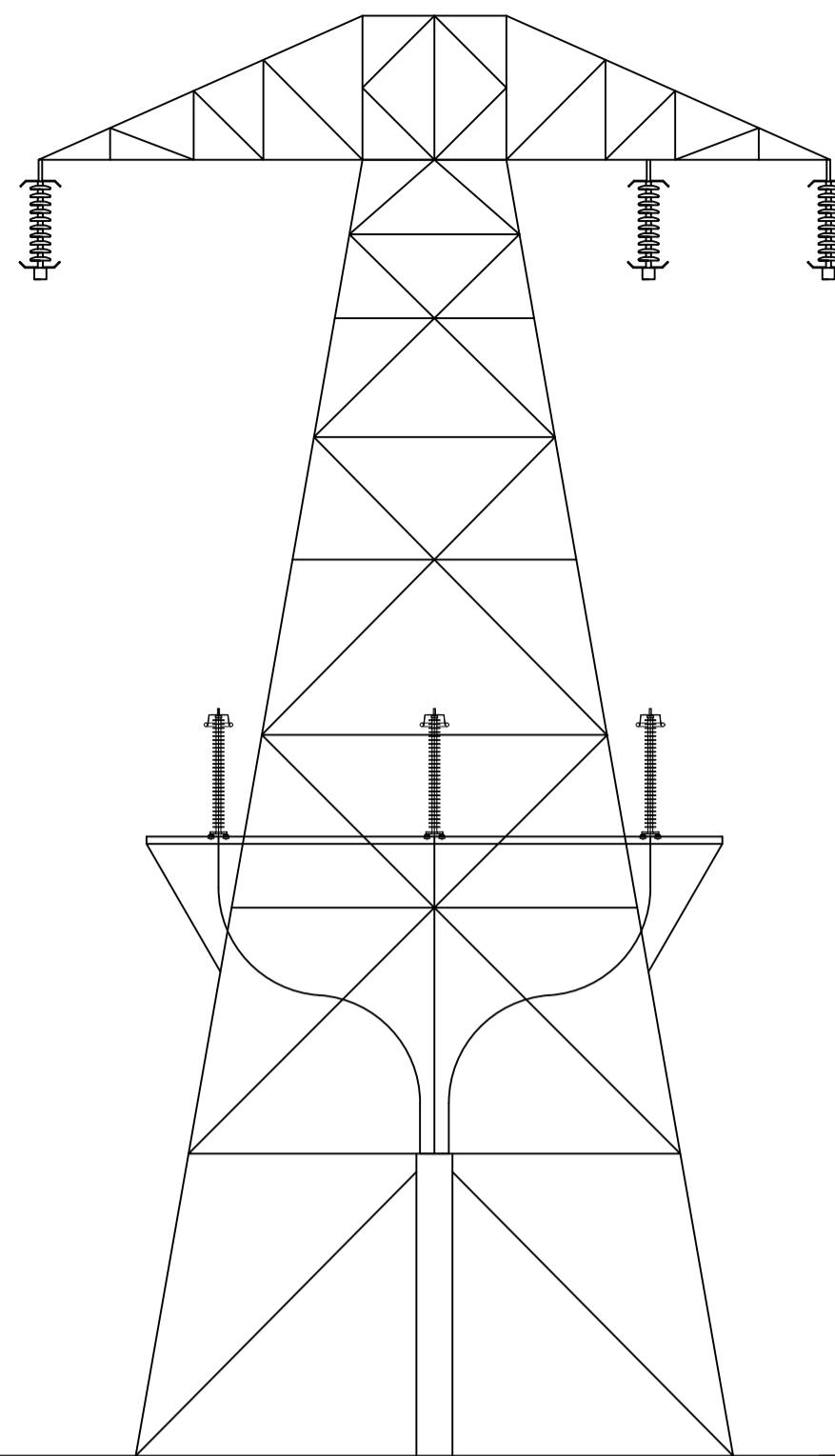


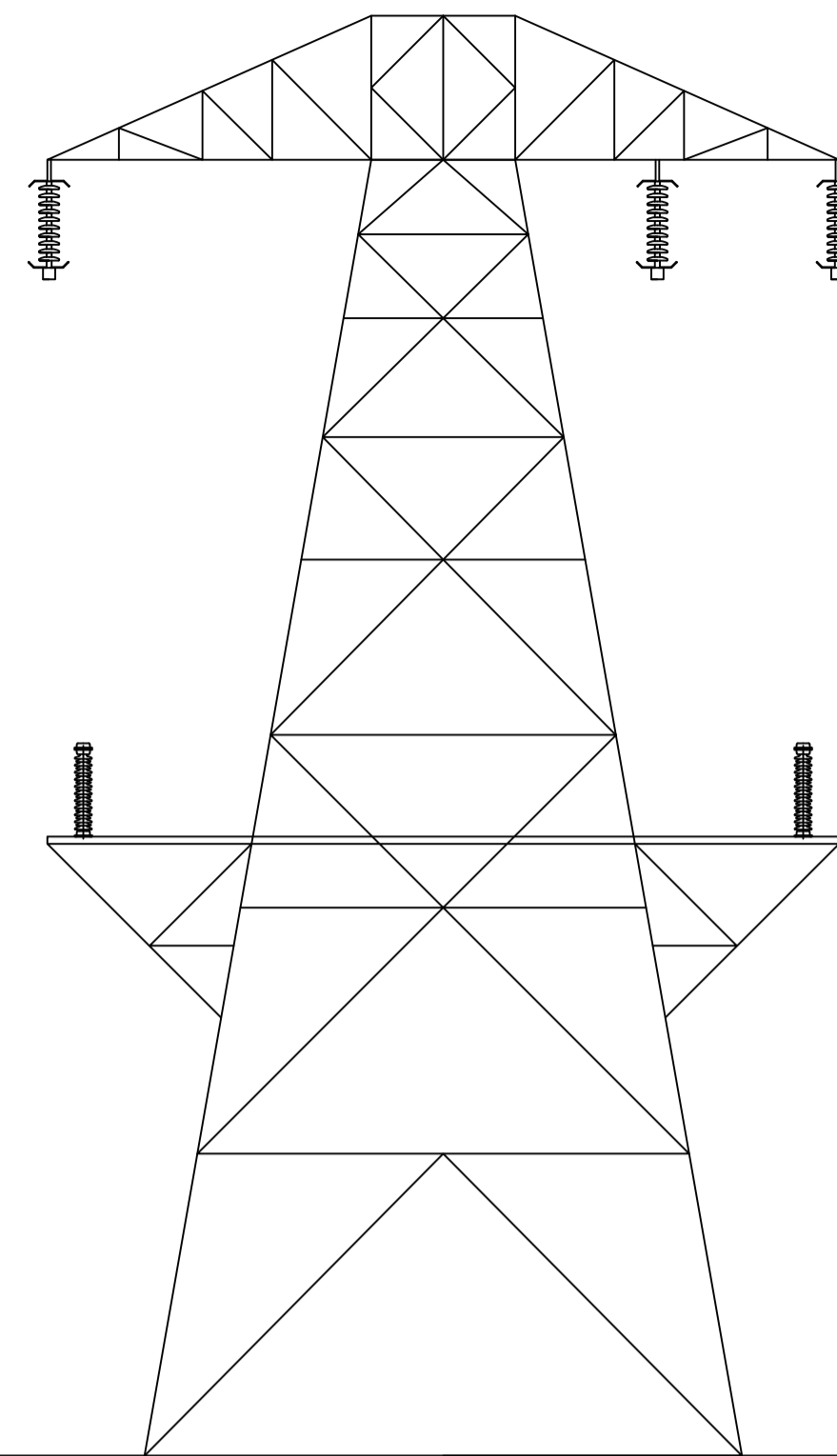
FRONT ELEVATION



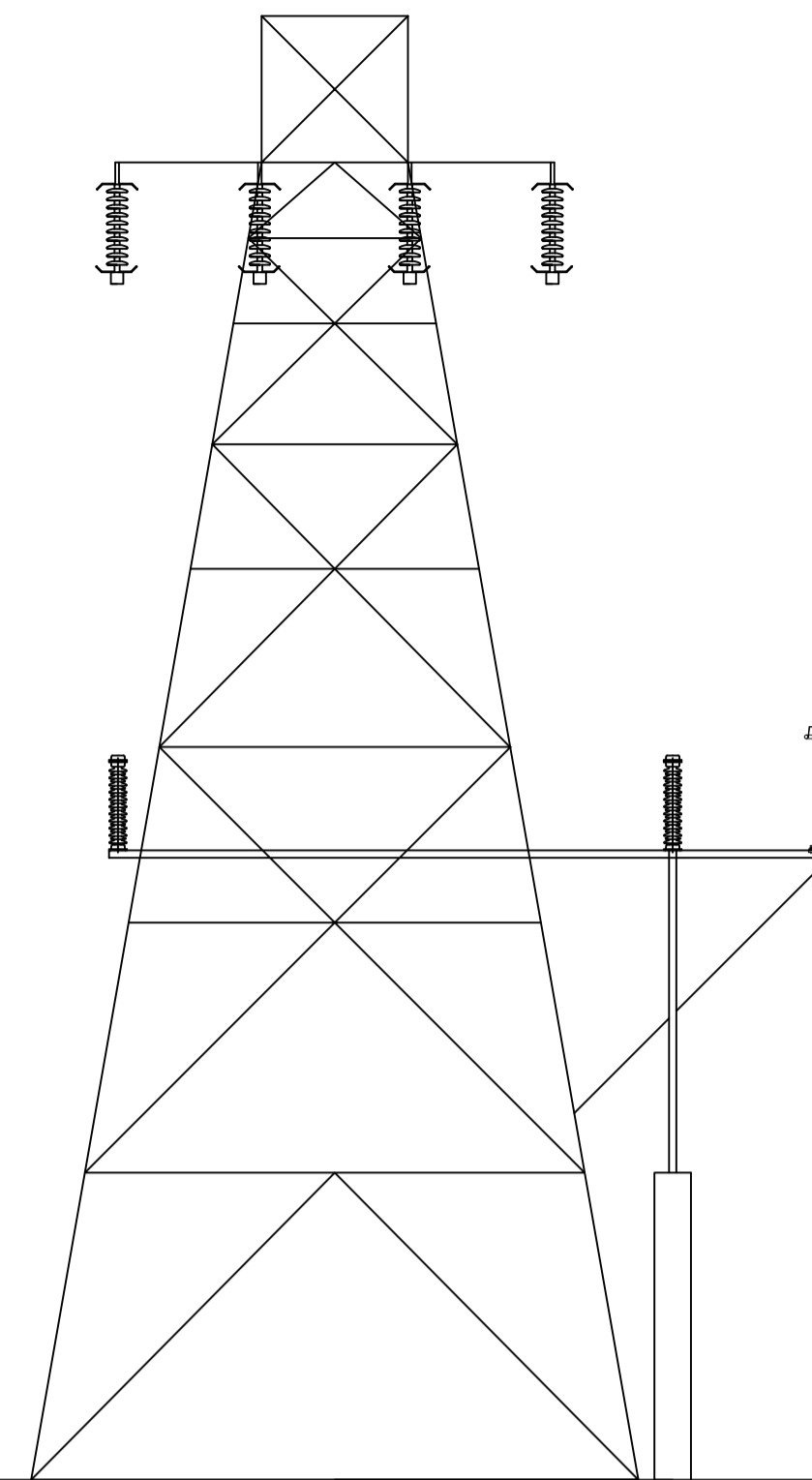
SIDE ELEVATION



FRONT ELEVATION
Scale 1:100

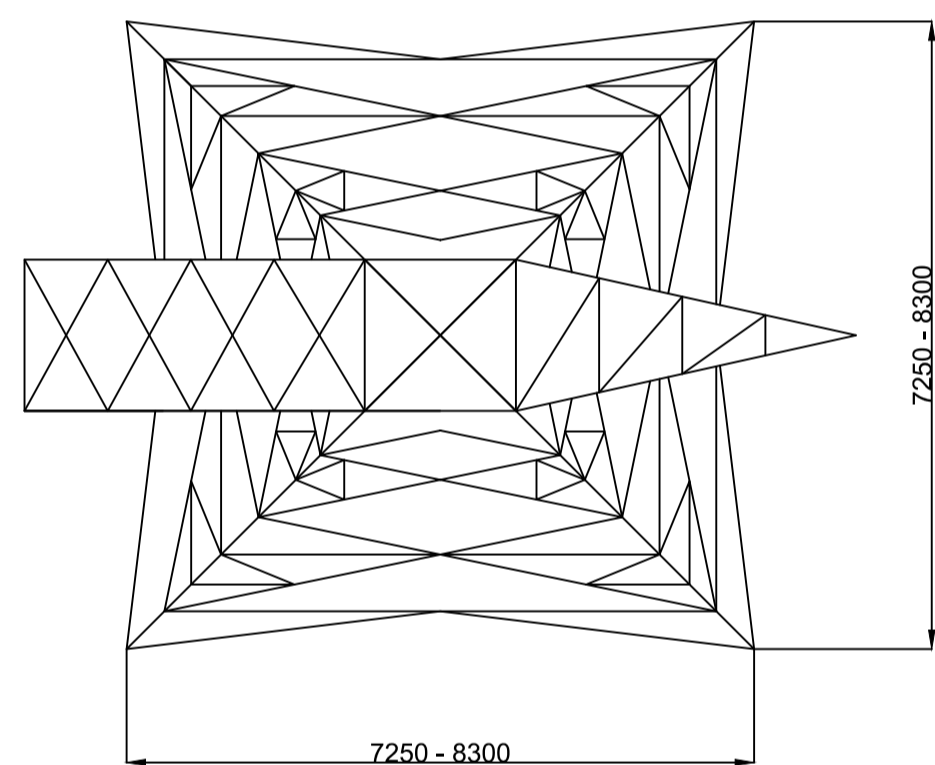
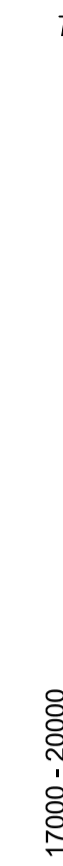


REAR ELEVATION
Scale 1:100



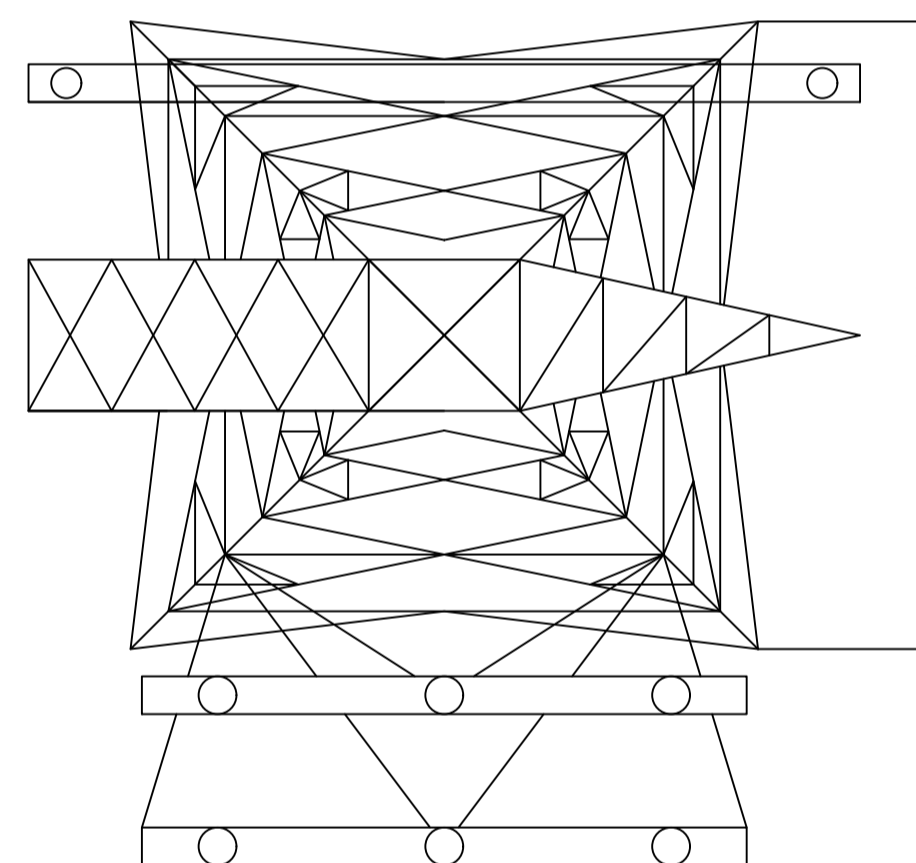
SIDE ELEVATION
Scale 1:100

EGL Varies



PLAN VIEW

110kV INTERMEDIATE MAST DETAILS



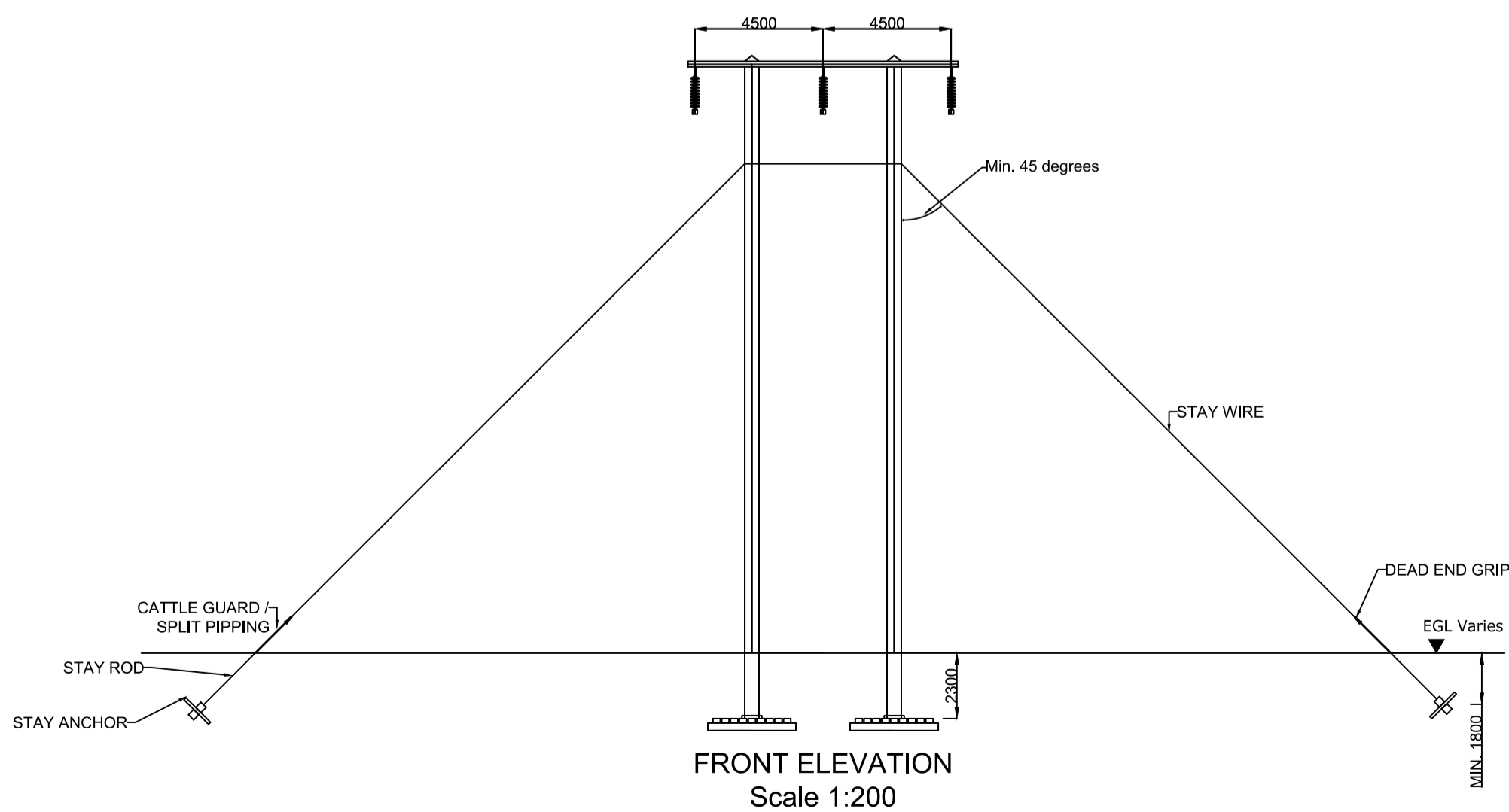
PLAN VIEW

110kV INTERMEDIATE MAST DETAILS

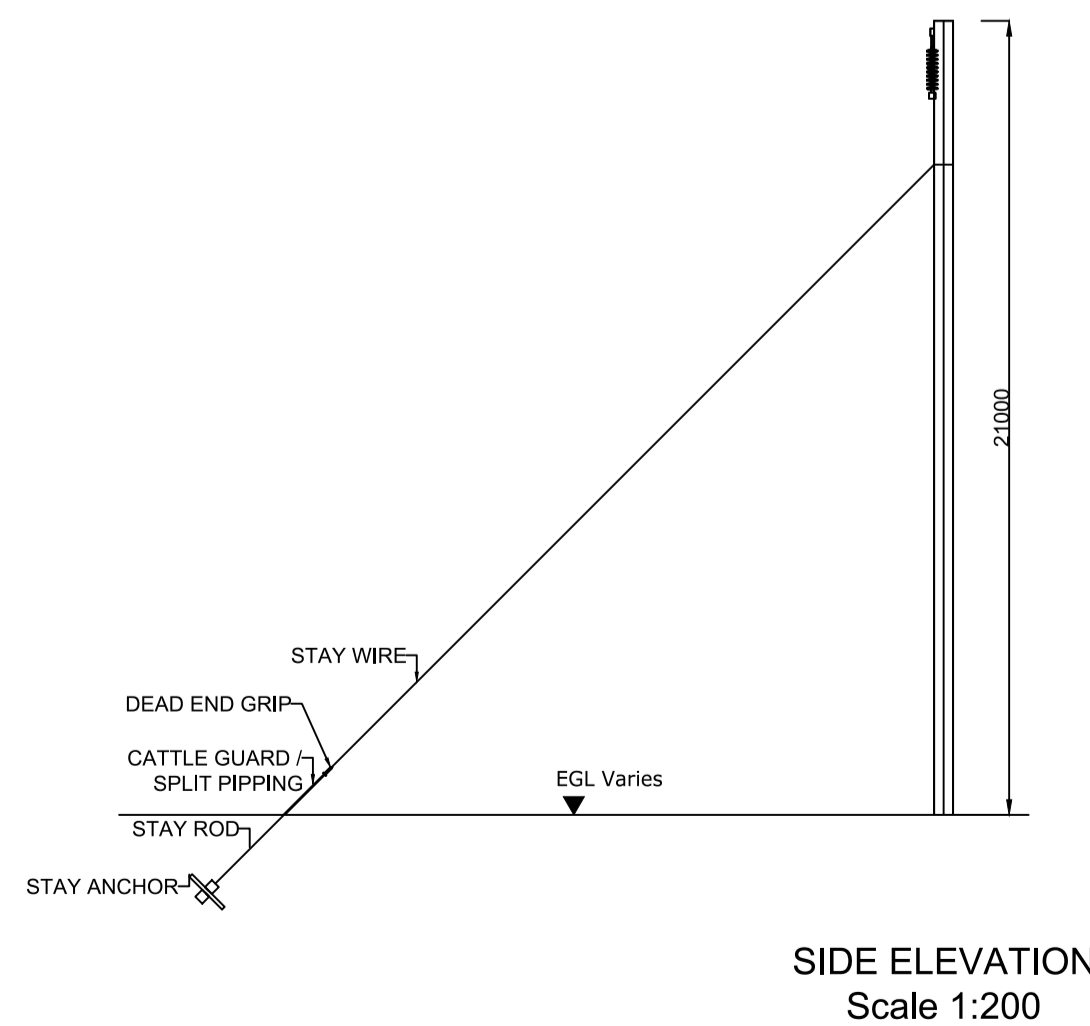
NOTES:

1. ALL DIMENSIONS NOTED ARE IN MM
2. TOWER HEIGHTS TO BE CONFIRMED IN DETAILED DESIGN PHASE
3. TOWER INSULATOR ANGLE WILL VARY TO SUIT APPLICATION
4. EQUIPMENT/STRUCTURE DETAILS ARE INDICATIVE AND WILL BE FINALISED DURING DETAILED DESIGN
5. DETAILED DESIGN SHALL BE CARRIED OUT IN LINE WITH SYSTEM OPERATOR AND ASSET OWNER SPECIFICATIONS

Rev	Date	Description	By	Chkd.
A	Jan. '19	PLANNING ISSUE	MN	ST

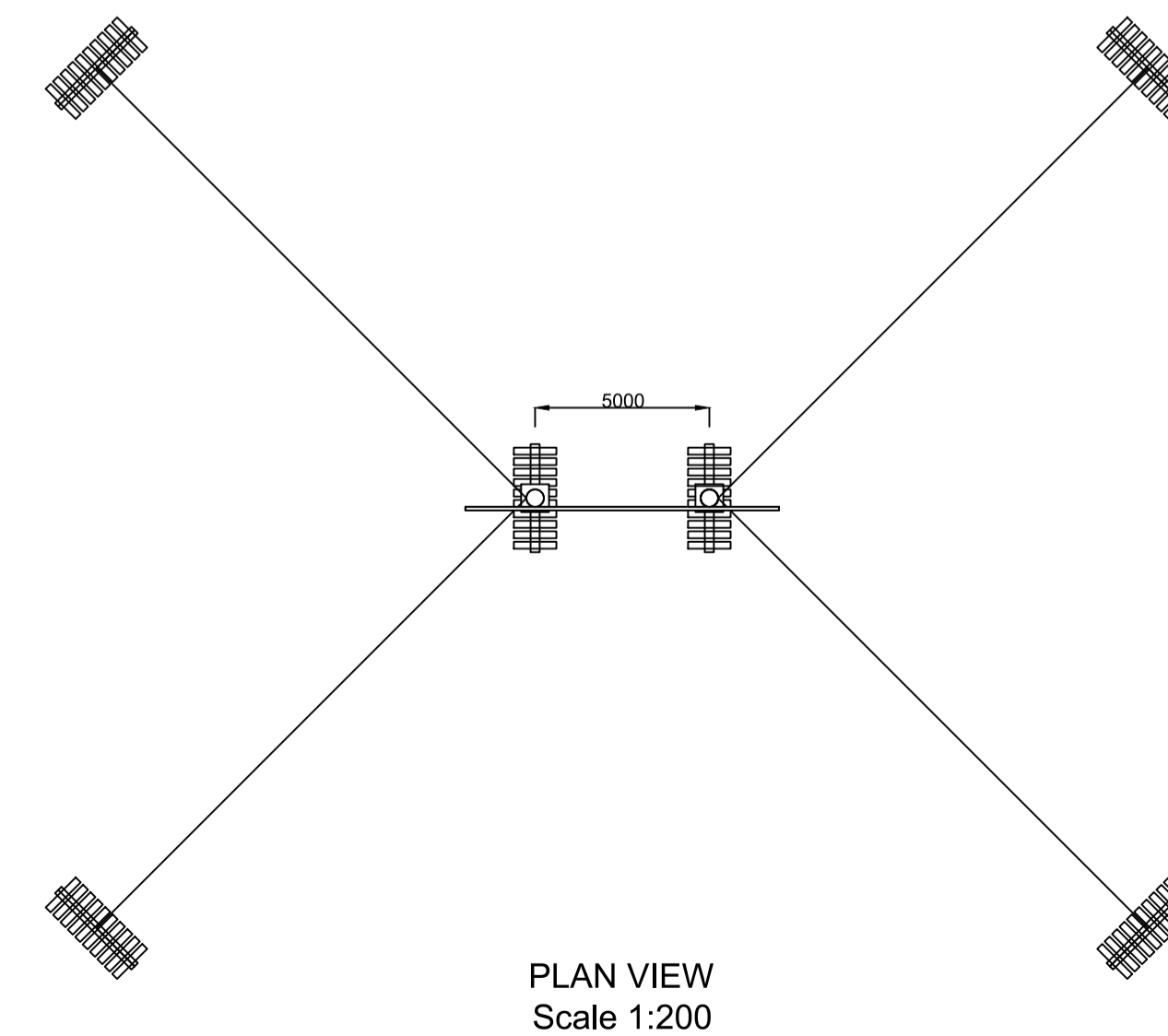


FRONT ELEVATION
Scale 1:200



SIDE ELEVATION
Scale 1:200

100kV WOODEN POLESET AND STAY WIRE DETAILS



PLAN VIEW
Scale 1:200

Client: **BORD NA MÓNA**
Naturally Driven

Project: **DERRYADD WIND FARM**

Title: **TYPICAL 110kV STRUCTURE DETAILS**

Scale @ A1: **As Shown**

Prepared by:	Checked:	Date:
M. Nolan	S. Tinnelly	January 2019
Project Director:	D. Grehan	
Drawing Status:	Planning	

TOBIN
Patrick J. Tobin & Co. Ltd.

TOBIN Consulting Engineers,
Block 10-4, Blanchardstown Corporate Park,
Dublin 15, Ireland.
tel: +353-(0)1-8030406
fax: +353-(0)1-8030409
e-mail: dublin@tobin.ie
www.tobin.ie

TOBIN Consulting Engineers will not be liable for any use of this document for any purpose other than that for which it was originally prepared and provided. Except where specifically and explicitly agreed in writing by TOBIN Consulting Engineers, copyright notice, the title of this document may not be reproduced or transmitted in any form and this document shall not be relied upon by any third party for any purpose.

Drawing No.:	10325-2019	Revision:	A
--------------	------------	-----------	---